



▶ **Analogue Gas Detection**

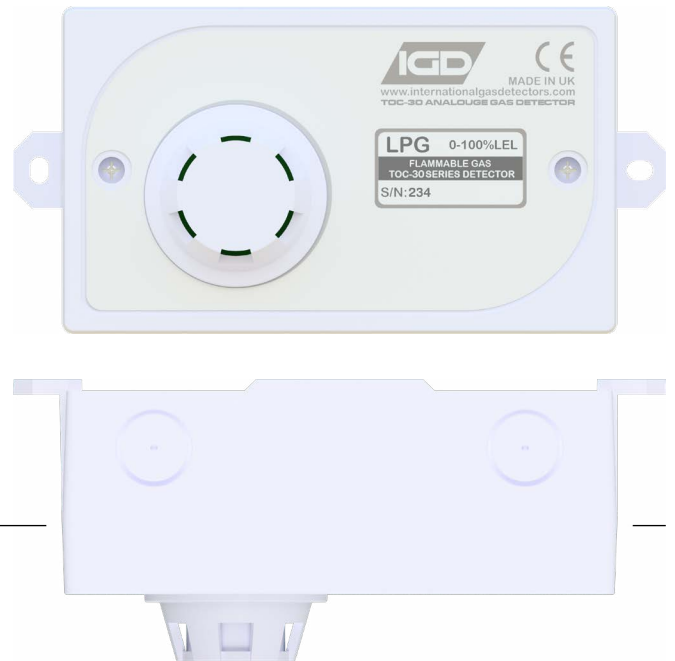
Accurate measurement for a wide variety of gases
 Reliable long term gas monitoring solution.
 Ideal for a diverse range of safe area applications.

▶ **Easy Integration**

Unique labyrinth seal protects the sensor from the environment.
 Easy integration into existing or new control systems with 4-20mA analogue.
 Pre-calibrated and ready to use sensors.

▶ **Long Life Reliability**

Designed and manufactured in the UK by IGD
 2-Year warranty on electronics, see [terms and conditions](#)*.
 See warranty document for sensor specifics.
 All compliance supported by third-party certification.

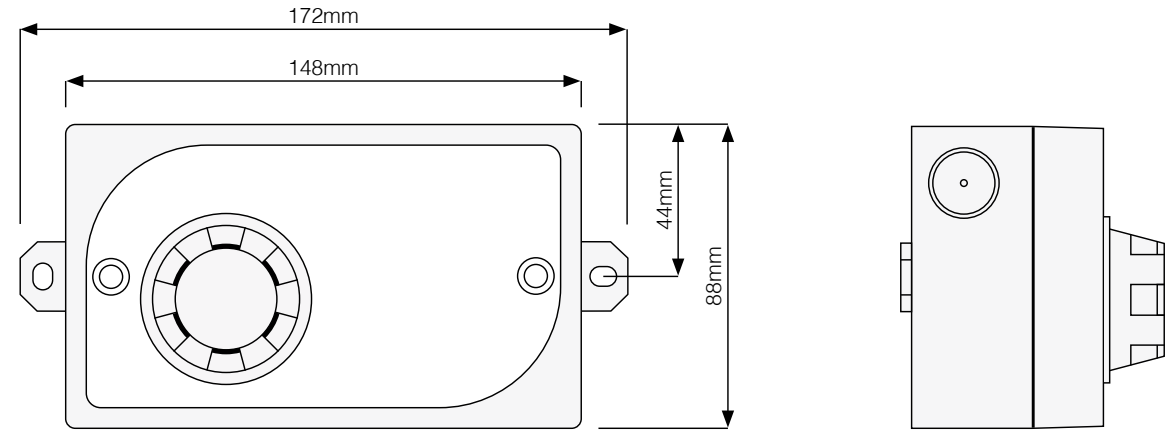
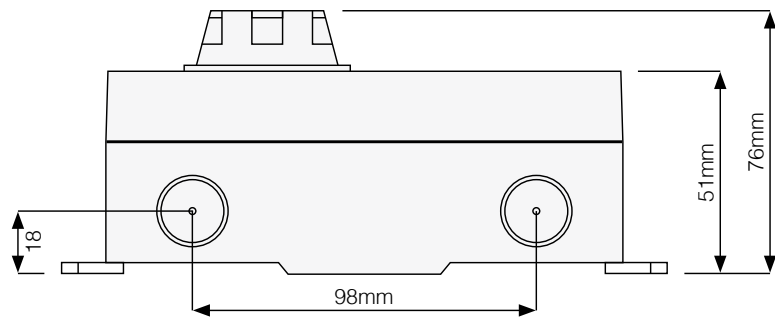


Analogue Safe Area Gas Detector

Specifications

<p>Power</p> <p>18 to 28V DC</p>	<p>Weight</p> <p>425 grams</p>	<p>Dimensions (dia.xh)</p> <p>148 x 88mm 5.8 x 3.5"</p>	<p>Temperature Range</p> <p>0° to 55°C (32° to 131°F)</p>
<p>Housing</p> <p>ABS - Standard 2 Gang Pattress</p>	<p>Mounting</p> <p>Dado or Wall</p>	<p>Accuracy</p> <p>+/-2% of Range</p>	<p>Electrical Outputs</p> <p>2-Wire Analogue for Toxics and Oxygen</p> <p>3-Wire Analogue for Pellistor and IR</p>
<p>Ingress Protection</p> <p>IP54 Rated Seals</p>	<p>Humidity</p> <p>0% to 95% RH Non-Condensing</p>	<p>Sensor Lifetime</p> <p>See Warranty Period document</p>	

Dimensions



Order Codes

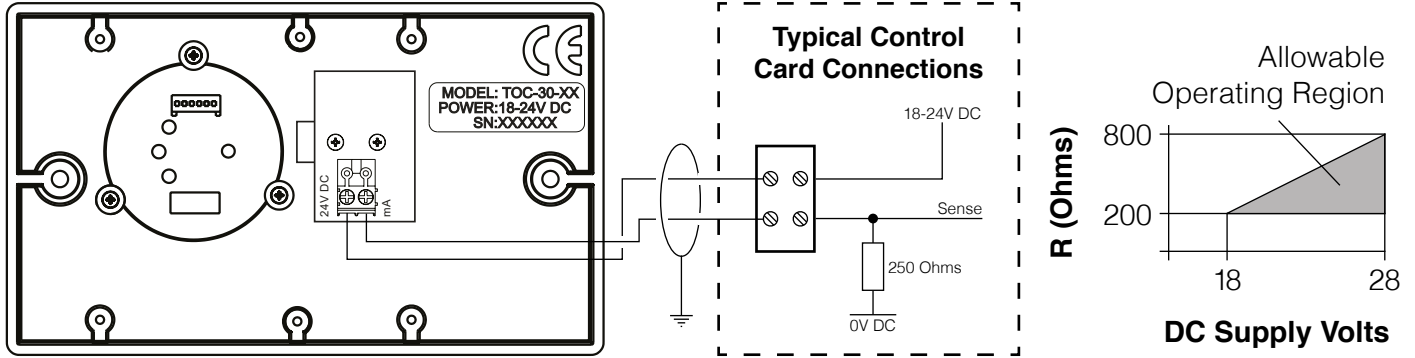
Gas	Range	Order Code
Ammonia	0-100PPM	TOC-30-1NH3
High Range Ammonia	0-1000PPM	TOC-30-H1NH3
Boron Trichloride	0-10PPM	TOC-30-BCL3
Low Range Ethylene	0-10PPM	TOC-30-LC2H4
Ethylene	0-200PPM	TOC-30-C2H4
Ethylene Oxide	0-10PPM	TOC-30-ETO
Formaldehyde	0-5PPM	TOC-30-CH2O
Chlorine	0-5PPM	TOC-30-CL2
Chlorine Dioxide	0-1PPM	TOC-30-CLO2
Carbon Monoxide	0-100PPM	TOC-30-CO
Low Range Carbon Dioxide	0-5000PPM	TOC-30-LCO2
Carbon Dioxide	0-5% VOL	TOC-30-CO2
High Range Carbon Monoxide	0-2000PPM	TOC-30-HCO

Hydrogen	0-1000PPM	TOC-30-H2
Hydrogen Sulphide	0-50PPM	TOC-30-H2S
Hydrogen Chloride	0-10PPM	TOC-30-HCL
Hydrogen Cyanide	0-10PPM	TOC-30-HCN
Hydrogen Fluoride	0-10PPM	TOC-30-HF
Nitric Acid	0-100PPM	TOC-30-HNO3
Oxygen	0-25% VOL	TOC-30-O2
Ozone	0-1PPM	TOC-30-O3
High Range Ozone	0-5PPM	TOC-30-HO3
Ammonia	0-500PPM	TOC-30-NH3
Nitric Oxide	0-5PPM	TOC-30-NO
Nitrogen Dioxide	0-5PPM	TOC-30-NO2
High Range Nitrogen Dioxide	0-20PPM	TOC-30-HNO2
Silane	0-10PPM	TOC-30-SIH4
Sulphur Dioxide	0-5PPM	TOC-30-SO2
MK6 Flammable Pellistor	0-100%LEL	TOC-31A-PHC
MK7 Flammable Pellistor	0-100%LEL	TOC-30A-PHC

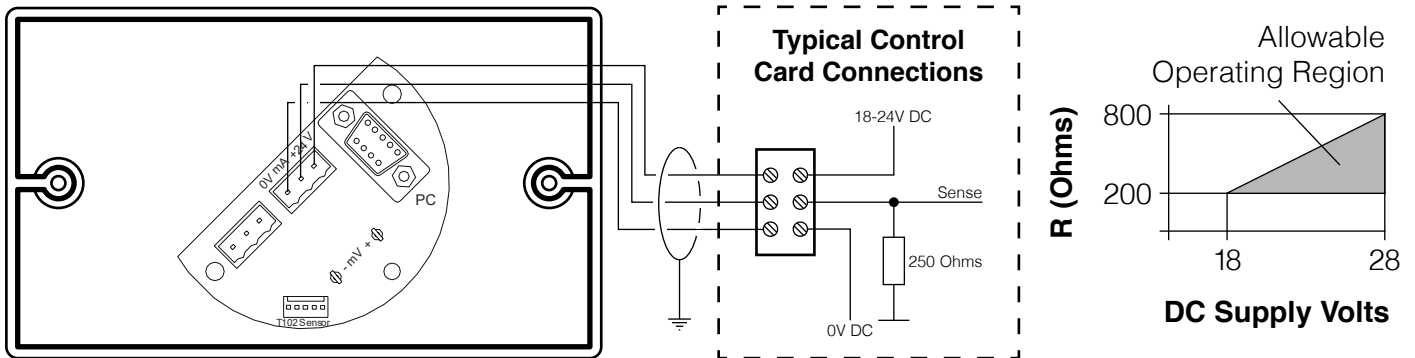
Electrical Wiring

Recommended calibration every 6 months by IGD or IGD authorised engineers.

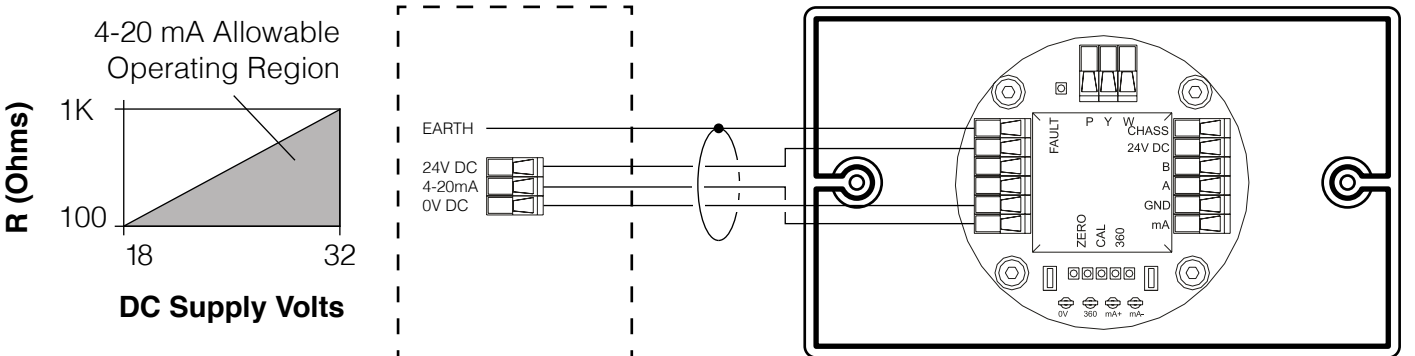
Front Plate



3-Wire IR



Pellistor T106P



EC Declaration of Conformity

Declares the product listed as:

TOC-30

4-20mA Output
Gas Detector

Issuers name and address:

Oliver IGD Limited of
Triton House
Crosby St
Stockport, SK2 6SH
United Kingdom

Are in conformity with the provisions of the following European Directive(s) when installed, operated, serviced and maintained in accordance with the installation and operating instructions contained in the product documentation.

2014/30/EC

EMC Directive

2011/65/EU

RoHS Directive

And that the standards and/or technical specifications referenced below have been applied or considered.

EN 50271	Electrical apparatus for the detection and measurement of combustible gases, toxic gases or Oxygen: requirements and tests for apparatus using software and or digital technologies. Excluding requirements for SIL
EN 61000-6-2	EMC Generic standards. Immunity for industrial environments
EN 61000-6-4:2	EMC Generic standards. Emission standard for industrial environments
EN 61000-3-2/A2	EMC Limits. Limits for harmonic current emissions (equipment input current ≤ 16 A per phase)
EN 61000-3-3	EMC Limits. Limitation of voltage changes, voltage fluctuations and flicker in public low-voltage supply systems, for equipment with rated current ≤ 16 A per phase
IEC63000	Technical doc, etc.
Technical File Reference	T30-TF9

Quality Management
Certificate Number
FS 646773
EMS 696504

Oliver IGD Limited operate an
independently assessed ISO 9001:2015
Quality Management System & ISO 14001
Environmental Management



BSI Assurance UK LTD,
Chiswick High Road,
London
W4 4AL
UK



Signature:

Name:

Andrew J Collier M.I.O.D

Position:

Managing Director

Declaration of Conformity in accordance with
EN ISO/IEC 17050-1:2010

Date:

16 February 2024

Declaration Ref:

DEC-5