

# PRODUCT DATA SHEET

www.internationalgasdetectors.com

**OLIVER IGD**

**Control Systems**

Transmitters

Sensors

Accessories



## T625 MICRO

### 1 Click Automatic Alarm Setup - Plug and Go

T625 Micro is a multi-channel detector controller in an easily installed and implemented small format package. The system can be used with any of the T625 Addressable range detectors or I/O modules providing maximum flexibility.

T625 Micro has a unique Auto Setup Function.

- ➔ Run FIND Function at Startup
- ➔ T625 Automatically Finds Connected Devices
- ➔ Detected Devices are Automatically Installed
- ➔ Alarm Levels and Outputs are Automatically Set

**Automatic System Setup Feature  
Fast, Effective and Safe  
Simple and Efficient**

### Features

Auto Setup Function

Wall or Panel Mounting

Relay Outputs as Standard

4-20mA Outputs as Standard

RS485 Modbus as Standard

Control up to 8 Devices as Gas Detectors or I/O Modules

LCD Display With Multi Colour Backlight, Flashes Red on Alarm, Flashes Yellow on Fault etc

Detector Options for Flammables, Carbon Monoxide, Carbon Dioxide, Chlorine, Hydrogen Sulphide and Oxygen.

### Standard Specifications

Power 24V DC

Construction ABS

Display 2 Lines x 8 Digit LCD Display  
Multi-Colour Backlight (Red-Alarm, Yellow-Fault, Blue-Normal)

Outputs 2 off SPCO Relays 4A Non-Inductive  
User Configurable  
3 off 4-20mA Linear Outputs  
User Configurable

Other I/O Sounder 80dB @ 100mm (Mutable)  
RS485 Port Modbus

Inputs 8 off Addressable Series Detectors or I/O Modules

Temperature -5 to 55 Deg C

Humidity 0-95% RH Non-Condensing

Sealing IP54

Mounting Wall Mount

Weight 150g



International Gas Detectors

CH<sub>4</sub> H<sub>2</sub>S CO<sub>2</sub>  
NO NO<sub>2</sub> SO<sub>2</sub>



Triton House  
Crosby Street  
Stockport  
SK2 6SH  
England

Tel: +44 (0)161 483 1415  
Fax: +44 (0) 161 484 2345  
Email: sales@internationalgasdetectors.com  
Website: www.internationalgasdetectors.com



FS646773  
REF: IGD625-1

# PRODUCT DATA SHEET

www.internationalgasdetectors.com

**OLIVER IGD**

**Control Systems**

Transmitters

Sensors

Accessories

## EC Declaration of Conformity

Issuers name and address:

Oliver IGD Limited of  
Triton Hous,  
Crosby Street,  
Stockport,  
Sk2 6SH  
England



Declares that the product listed as:

**T625-MIC**

Single or Multi-Channel Detector Control Panel

Are in conformity with the provisions of the following European Directive(s) when installed, operated, serviced and maintained in accordance with the installation and operating instructions contained in the product documentation.

**2004/108/EC**  
**2014/34/EU**

**EMC Directive**

**Low Voltage Equipment Directive** (note not applicable to 24V DC Powered Versions)

And that the standards and/or technical specifications referenced below have been applied or considered.

EN 60079-29-1:2016

Explosive Atmospheres. Gas Detectors. Performance Requirements of Detectors For Flammable Gases. \*\*Complies With\*\*

EN 50271:2018

Electrical apparatus for the detection and measurement of combustible gases, toxic gases or Oxygen: requirements and tests for apparatus using software and or digital technologies. Excluding requirements for SIL \*\*Complies With\*\*

EN 61000-6-2: 2005

EMC Generic standards. Immunity for industrial environments

EN 61000-6-4: 2007

EMC Generic standards. Emission standard for industrial environments

EN 61000-3-2/A2:2009

EMC Limits. Limits for harmonic current emissions (equipment input current ≤ 16 A per phase)

EN 61000-3-3: 2008

EMC Limits. Limitation of voltage changes, voltage fluctuations and flicker in public low-voltage supply systems, for equipment with rated current ≤ 16 A per phase

Technical File Reference

T625-TF9

Product Markings



**T625-MIC**

SI-serial number

Oliver IGD Limited Operate and Independently assessed ATEX/IECEX QAN.

Oliver IGD Limited operate an independently assessed ISO9001:2008 Quality Management System.

Testing Agency:

TUV - SUD  
Octagon House  
Concorde Way  
PO 15 5RL  
Fareham

Quality Assurance Certificate Number  
**ExVeritas 16PQAN0014**

Quality Management Certificate Number  
**FS 646773**

Quality Assurance Notification Number:  
**2585**

ExVeritas,  
Units 16-18,  
Abenbury Way,  
Wrexham Industrial Estate,  
Wrexham, UK, LL13 9UZ

BSI Assurance UK LTD,  
Chiswick High Road,  
London  
W4 4AL  
UK



Mehr Sicherheit.  
Mehr Wert.

TUV Certificates and reports can be checked on-line at [https://www.tuev-sued.de/industry\\_and\\_consumer\\_products/certificates](https://www.tuev-sued.de/industry_and_consumer_products/certificates)

Issued on: 16th 07 2018

At Oliver IGD Limited, Stockport, SK2 6SH, United Kingdom

Signature:

Declaration of Conformity in accordance with EN ISO/IEC 17050-1:2010

Name

Andrew J Collier M.I.O.D

Position:

Managing Director

Date: 16 Jul 2018

Declaration Ref: TOC-625-M-DEC-2



International Gas Detectors

CH<sub>4</sub> H<sub>2</sub>S CO<sub>2</sub>  
NH<sub>3</sub> SO<sub>2</sub> NO<sub>2</sub> CO



Triton House  
Crosby Street  
Stockport  
SK2 6SH  
England

Tel: +44 (0)161 483 1415

Fax: +44 (0) 161 484 2345

Email: [sales@internationalgasdetectors.com](mailto:sales@internationalgasdetectors.com)

Website: [www.internationalgasdetectors.com](http://www.internationalgasdetectors.com)



FS646773

REF: IGDT625-1

# PRODUCT DATA SHEET

www.internationalgasdetectors.com

**OLIVER IGD**

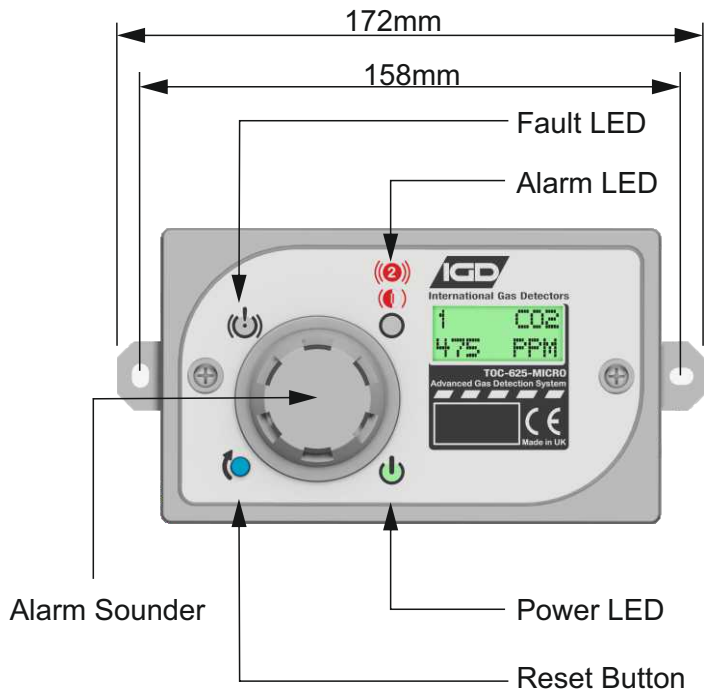
**Control Systems**

Transmitters

Sensors

Accessories

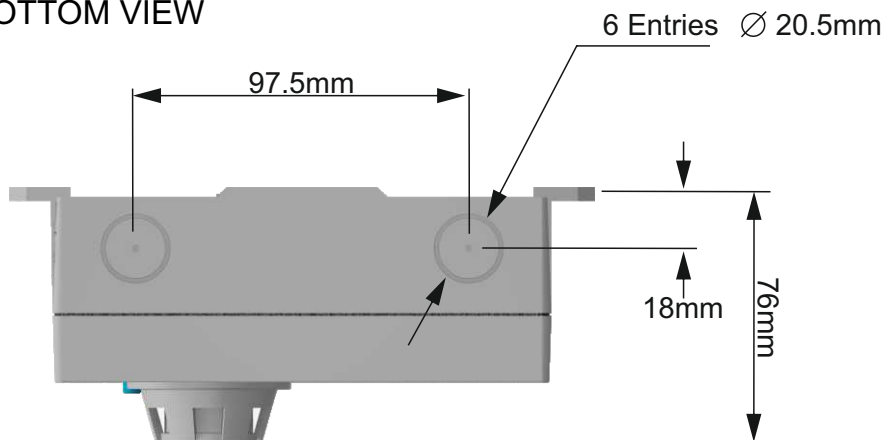
FRONT VIEW



SIDE VIEW



TOP/BOTTOM VIEW



**IGD**

International Gas Detectors

CH<sub>4</sub> H<sub>2</sub>S CO<sub>2</sub>  
NO NO<sub>2</sub> SO<sub>2</sub>

**OLIVER IGD**

Triton House  
Crosby Street  
Stockport  
SK2 6SH  
England

Tel: +44 (0)161 483 1415  
Fax: +44 (0) 161 484 2345  
Email: sales@internationalgasdetectors.com  
Website: www.internationalgasdetectors.com



FS646773  
REF: IGD625-1

# PRODUCT DATA SHEET

www.internationalgasdetectors.com

**OLIVER IGD**

**Control Systems**

Transmitters

Sensors

Accessories

## Auto Setup Table

Gas	Outputs	Range	Type	Alarm 1 / Relay 1	Alarm 2 / Relay 2
Flammables		0-100% LEL	Rising - Latching	10% LEL	20% LEL
Carbon Monoxide		0-100ppm	Rising - Latching	30ppm	75ppm
Carbon Dioxide		0-5000ppm	Rising - Latching	1500ppm	5000ppm
Carbon Dioxide		0-5%	Rising - Latching	0.5%	1.5%
Chlorine		0-5ppm	Rising - Latching	0.5ppm	1ppm
Oxygen		0-25%	Falling - Latching	19.5%	18.5%
Hydrogen Sulphide		0-50ppm	Rising - Latching	5ppm	10ppm

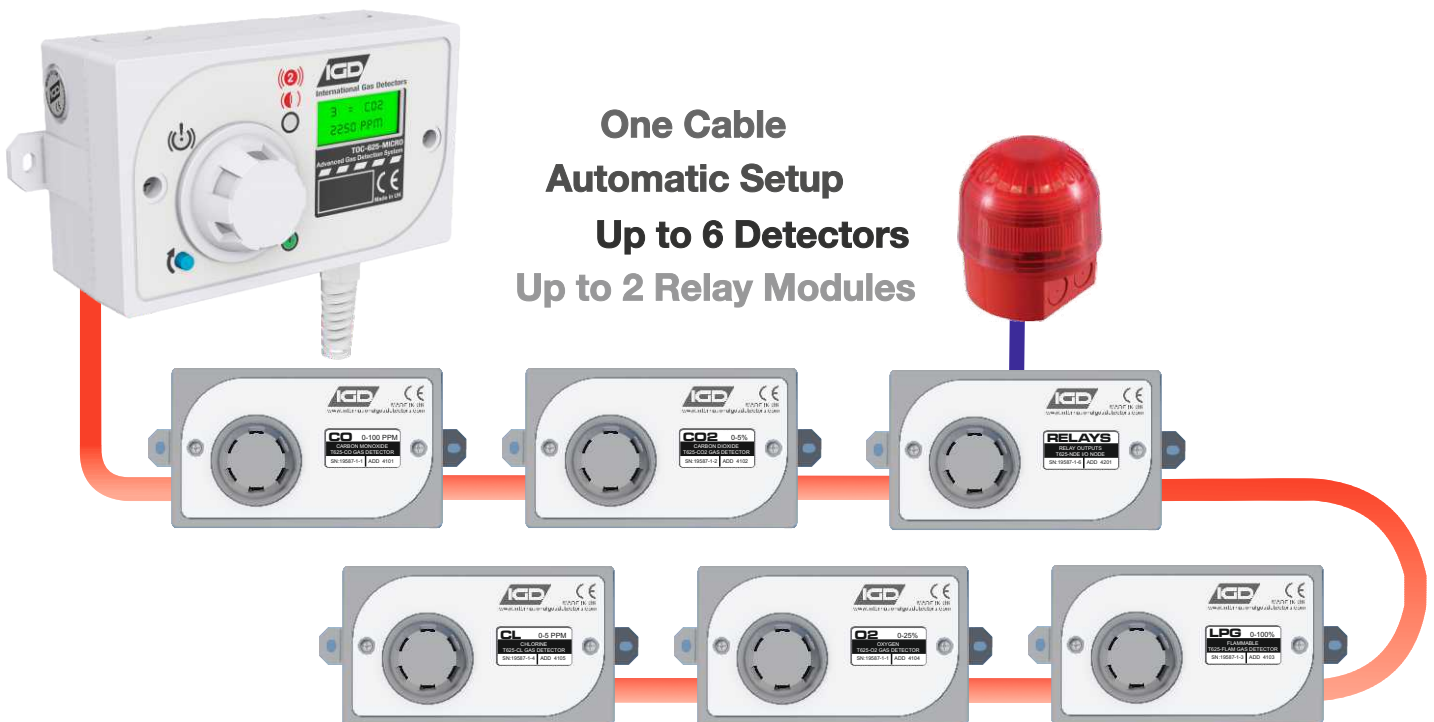
Relay 1 and Relay 2 on the T625-MIC are set to be normally energised, de-energising on alarm or power failure.

The T625-MIC can FIND up to 8 devices. These can be any mix of gas detectors and output nodes

The T625-MIC can FIND up to 2 relay output nodes. Relay nodes supplied with T625-MIC need to be addressed as follows and will operate according to the following table.

Relays Active on First Alarm	Output Node 1		Output Node 2	
	Relay 1	Relay 2 Mutable	Relay 1	Relay 2 Mutable
Node Relay Address	4201	4202	4203	4204

Note that mutable relays re-energise on second alarm.



**IGD**

International Gas Detectors

CH<sub>4</sub> H<sub>2</sub>S CO<sub>2</sub>  
NO<sub>2</sub> SO<sub>2</sub>

**OLIVER IGD**

Triton House  
Crosby Street  
Stockport  
SK2 6SH  
England

Tel: +44 (0)161 483 1415

Fax: +44 (0) 161 484 2345

Email: sales@internationalgasdetectors.com

Website: www.internationalgasdetectors.com



FS646773

REF: IGD T625-1